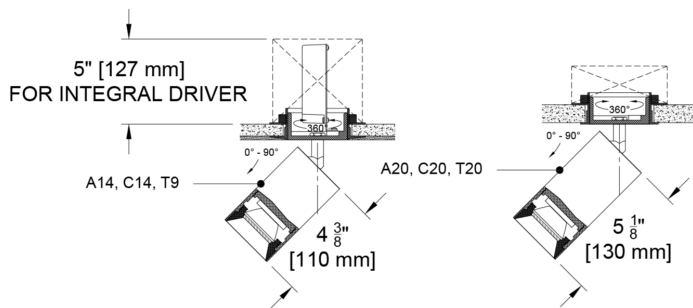
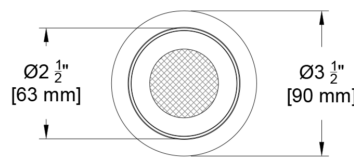
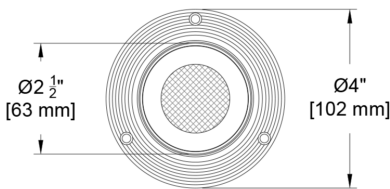
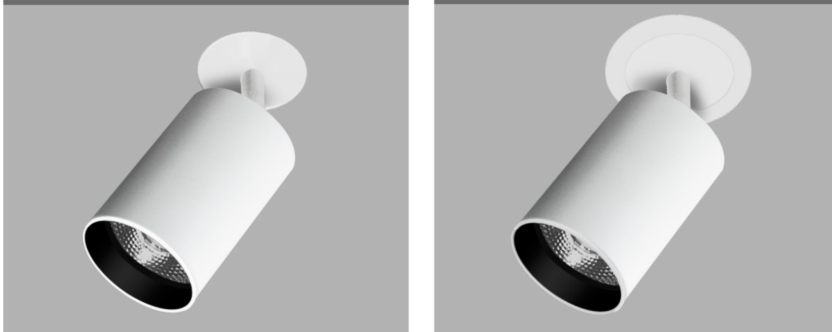


# Scope Original

The Scope Monopoint offers 4 standard mounting conditions, the system is highly flexible and facilitates modifications. If you need a mounting condition you don't see, just ask. The Monopoint offers most of the same sources and drivers as it's downlight kin allowing flawless transition from recessed to exposed fixtures. Last but not least, the aluminum components, machined in New Jersey, allow for powder coat painting or anodize, opening our full pallet of 40 standard finishes plus the option for RAL# or custom paint match.

2.5" Round Z (Flangeless)

2.5" Round F (Flanged)



PROJECT:

TYPE:

SPECIFIER:

DATE:

## Key Points (SCOM-RA)

### Housing

- listed to UL 1598 - damp rated
- Precision CNC machined aluminum in New Jersey
- 40 finish options + Custom/RAL#
- Multiple mounting options, including sloped ceilings
- Flanged (can be used in wood or GWB), Flangeless, or Panel Trim (millwork)
- Adjustable 360° degree rotation and 90° degree tilt

### Source / Optics

- **AmbientDim™**, RGBW & Tunable White options
- 2400K, 2700K, 3000K, 3500K, 4000K
- 4 beam spreads - 20°, 28°, 40° and 60°
- <2 MacAdams Ellipses (<2 SDCM) for fixed white
- Up to 1307 delivered lumens
- 90+ CRI, 60+ R9 Standard, 95+ CRI, 90+ R9 available with Ambient Dim option
- **24** Compliant to **JA8** with Airtight housing.

### Driver / Control

- Drivers integral with fixture in some mounting options - see drawings
- **TruPhase™**, 0-10, DALI-2, DMX, Ecosystem or Wireless Control
- Flicker free to IEEE 1789-2015 available with EldoLED and TruPhase™ selections
- Universal 120-277v

## Finish Options - See finish guide for full spectrum of colors

PXX- Powder Coat Paint examples



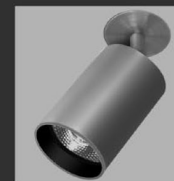
P14 White Paint P13 Moog Bronze

AXX- Anodize finish examples



A01 Black Anod. A32 Clear A20 Blue

AMXX- Matte Anodize



AM32 Clear

BXX- Brass finish



B05 Satin Brass

# Ordering Codes

PROJECT:

SPECIFIER:

DATE:

TYPE:

QUANTITY:

Ordering Code Example: SCOM-RA-F-SM-C14-30-35-C1-A01-91L

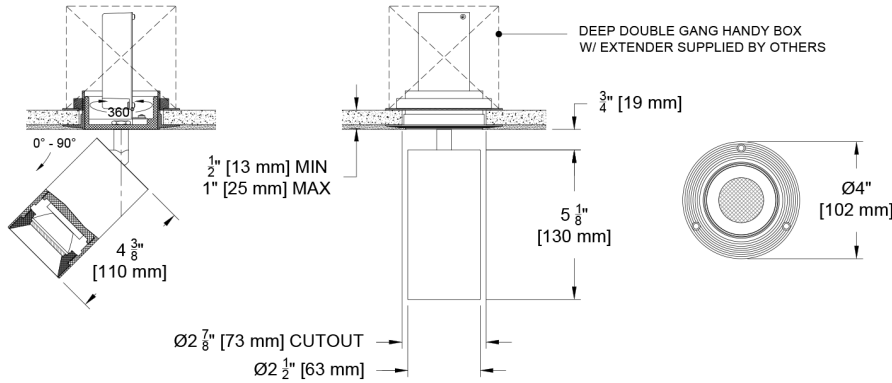
FIXTURE	TRIM	MOUNTING	SOURCE / WATTS	CCT	BEAM	DRIVER / CONTROL	HEAD FINISH	ACCESSORIES
SCOM-RA								
Scope Original 2.5" Monopoint - Round	<p><b>Standard (2.5")</b></p> <p>F Flanged Trim</p> <p>Z Flangeless Trim</p> <p><b>Canopy (4")</b></p> <p>CP Canopy Plate for use with 4" Diameter Pancake Box/Octagonal Box</p> <p><b>Mounting Notes:</b> * Deep double gang Handy box supplied by others for driver enclosure ^ Double gang Handy box supplied by others for fixture mount and low voltage wiring</p>	<p>SM <sup>^</sup>†# Surface Mount</p> <p>SMR <sup>^</sup>Δ Surface Mount</p> <p>SCSMR <sup>^</sup>Δ Sloped Ceiling Surface Mount (furnished with Hang-Straight)</p> <p>SMLJB <sup>†</sup> <sup>^</sup> Surface Mount Large Junction Box</p> <p>PM <sup>^</sup>†# Panel Mount</p> <p>PMR Panel Mount <sup>^</sup>Δ</p> <p>SCPMR <sup>^</sup> Sloped Ceiling Panel Mount (Remote driver, furnished with Hang-Straight)</p> <p>SCPM <sup>^</sup>† Sloped Wood Ceiling Panel Mount</p> <p>Shallow Panel Installation</p> <p>SHPM <sup>Δ</sup> Shallow Panel Mount</p> <p>Retro-fit Installation</p> <p>SHM <sup>Δ</sup> Shallow Surface Mount</p> <p>Pancake/Octagonal J-Box Installation</p> <p>CM <sup>Δ</sup> Canopy Mount</p> <p># - Bracket Pan available - Add #BP after mounting option</p> <p>† Integral Driver Δ Remote Driver</p>	<p>C14 ●● 14W 1292Lm* 90+CRI, 60+R9</p> <p>C20 ●● 21W 1450Lm** 90+CRI, 60+R9</p> <p><b>Tunable</b></p> <p>T9 8W 96+CRI, 88+R9 Tunable White</p> <p>T14 90+CRI, 60+R9 Tunable White</p> <p>T20 ●● 21W 90+CRI, 60+R9 Tunable White</p> <p>RGBWW 13W 1346Lm 96+CRI, 93+R9 *E4 Only</p> <p><b>Ambient Dim™</b></p> <p>A14 ●● 15W 95+CRI, 90+R9</p> <p>A20 ●● 21W 95+CRI, 90+R9</p> <p>●● Supports CA Title 24 compliance to JA8 requirements (except 1840 20° and 40°) *Based on 28° Beam **Based on 20° Beam &amp; 2977 CCT</p> <p><a href="#">View Photometrics</a></p>	<p>24 2400K</p> <p>27 2700K</p> <p>30 3000K</p> <p>35 3500K</p> <p>40 4000K</p> <p><b>Tunable</b></p> <p>TW1840 1800-4000K Tunable White w/ E1, E2, E3, E4</p> <p>TW2765 2700-6500K Tunable White w/ E1, E2, E3, E4</p> <p>RG1280 1200-8000K RGBW Dynamic Color Changing *Requires E2 or E4</p> <p><b>Ambient Dim™</b></p> <p>2722* 2700-2200K *A14 Only</p> <p>3019 3000-1900K</p> <p>3022* 3000-2200K *A14 Only</p>	<p>15 Spot</p> <p>20 Spot</p> <p>28 Narrow Flood<sup>^</sup></p> <p>40 Flood</p> <p>60 Wide Flood<sup>^</sup></p> <p><sup>^</sup>Not Available in (T9) Tunable White</p>	<p>C1 0-10<sup>^</sup> 1.0%, UNV (120-277V) linear</p> <p>C2 ELV/Triac 1.0%, (120-277V) linear</p> <p>E1 0-10<sup>^</sup> 0.1%, UNV (120-277V) log</p> <p>E2 DALI-2 0.1%, UNV (120-277V) log</p> <p>E3 0-10 0.1%, UNV (120-277V) linear</p> <p>E4 <sup>^</sup> * DMX 0.1%, UNV (120-277V) Universal DMX Driver/Controller RGBW-DMX <sup>^</sup> INCLUDES DMX/RDM COMPATIBLE DRIVER WITH BUILT-IN DECODER - CONTROLLER BY OTHERS</p> <p>TR2 TruPhase™ 0.1%, (120-120V) log Up to 20W Forward and Reverse compatible Phase Dimming Static White &amp; Ambient Dim only</p> <p>LD Digital Ecosystem* 1.0%, UNV (120-277V) ECO Hi-Lume SoftOn/Fade-to-Black LDE1 * Requires remote mounting</p>	<p>AM01 Black Matte Anodize<sup>^</sup></p> <p>AMXX Specialty Matte Anodize Color<sup>^</sup></p> <p>A32 Clear Anodize<sup>^</sup></p> <p>AXX Specialty Anodize Color<sup>^</sup></p> <p>W White Paint<sup>^</sup></p> <p>PXX Specialty Paint Color<sup>^</sup></p> <p>B05 Satin Brass<sup>^</sup></p> <p>BXX Brass Finishes<sup>^</sup></p> <p><sup>^</sup>Stem comes in selected color * See Finish Guide</p> <p><a href="#">FINISH GUIDE LINK</a></p>	<p>Reflector (lamp) Media</p> <p>97L Black Hexcel Louver<sup>*</sup></p> <p>91L Solite<sup>*</sup></p> <p>XXL Other Reflector (lamp) Media<sup>*</sup></p> <p><b>Other</b></p> <p>STM Stem standard length 3/4" For custom size, indicate in inches</p> <p>EM Emergency Pack</p> <p><b>Controls</b></p> <p>LR Lutron Wireless RF PowPak</p> <p>ATH Lutron Athena Wireless Node Must be used with E2 driver (DALI-2)</p> <p>CA Casambi Wireless BLE to be paired with driver</p> <p><b>LENS ACCESSORY VISUAL GUIDE LINK</b></p>

# Ceiling Cutouts and Dimensions

**Flangeless Monopoint (Integral Driver) | Plaster Surface Mount (SM) | Integral Driver**

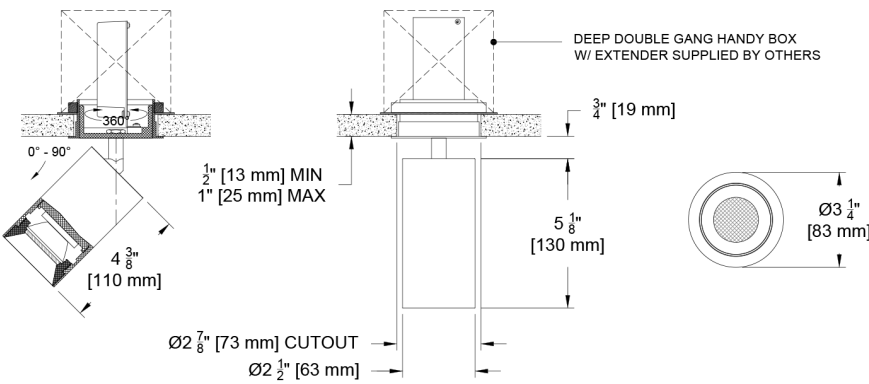
(SCOM-RA-Z-SM-)

See *Integral Driver Detail* page for recessed depth and j-box configurations by driver type.



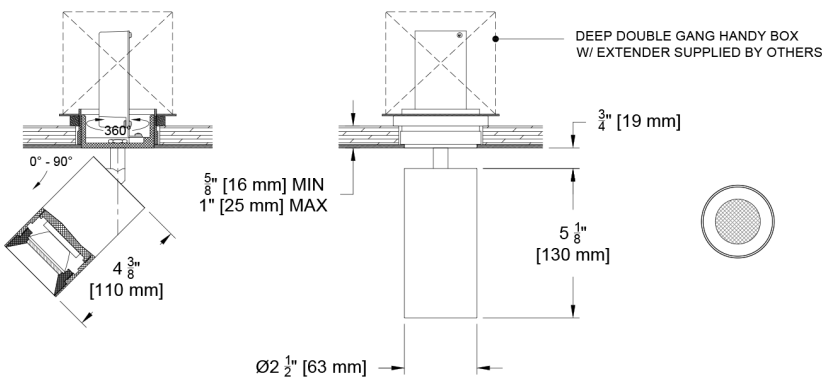
**Flanged Monopoint (Integral Driver) | Flanged Surface Mount (SM)**

(SCOM-RA-F-SM-)

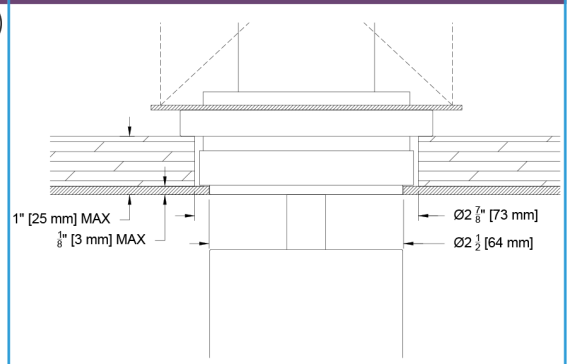


**Flangeless Monopoint (Integral Driver) | Panel Mount (PM)**

(SCOM-RA-Z-PM-)

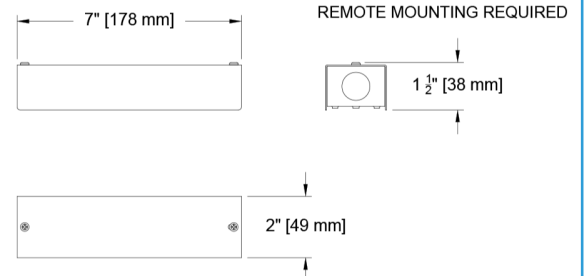
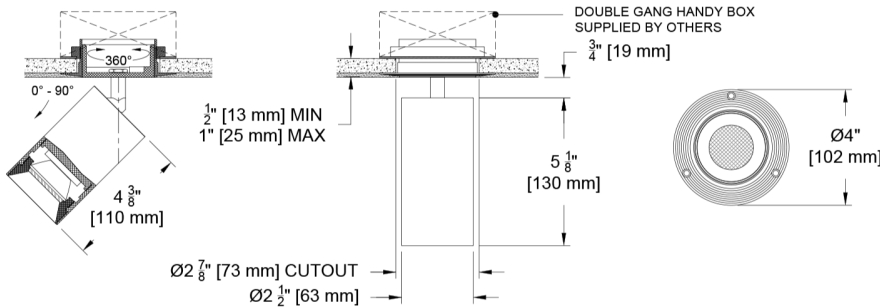


**Panel Mount Detail**

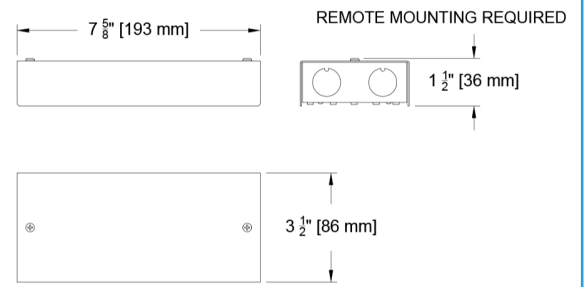


# Ceiling Cutouts and Dimensions

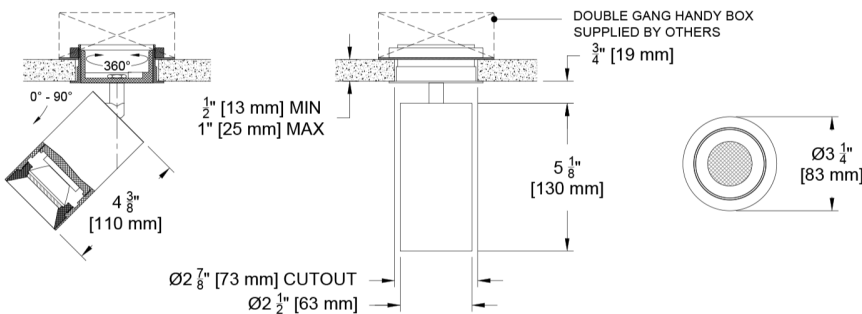
**Flangeless Monopoint (Remote Driver) / Plaster Surface Mount (SM#R) / Remote Driver Box** for E1, E2, E3, C1, C2, TR2  
(SCOM-RA-Z-SM#R-)



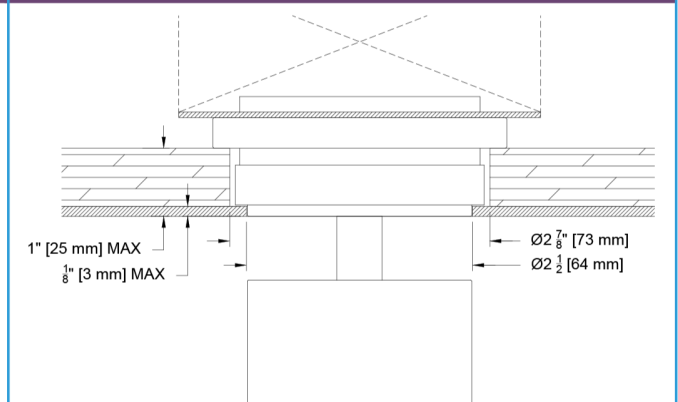
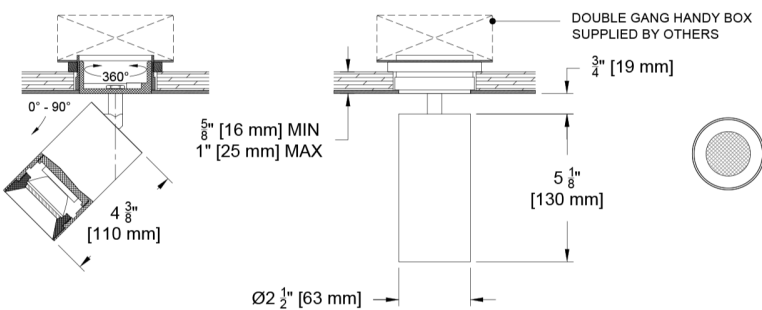
**Remote Driver Box** for E4, LD



**Flanged Monopoint (Remote Driver) / Flanged Surface Mount (SM#R)**  
(SCOM-RA-F-SM#R-)



**Flangeless Monopoint (Remote Driver) / Panel Mount (PM#R) / Panel Mount Detail**  
(SCOM-RA-Z-PM#R-)



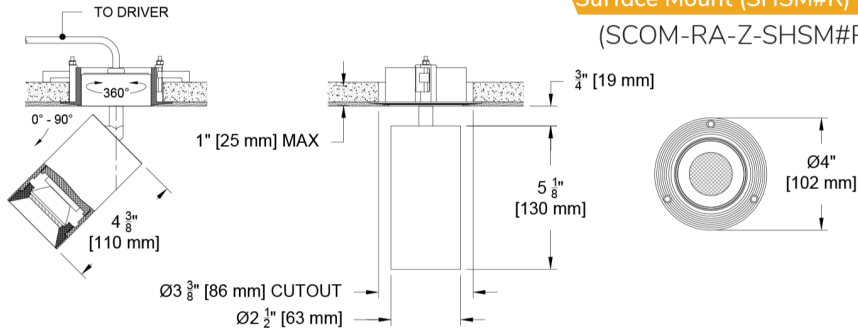
\* Double gang handy box supplied by others for fixture mount & low voltage wiring

# Ceiling Cutouts and Dimensions

## Flangeless Monopoint (Remote Driver)

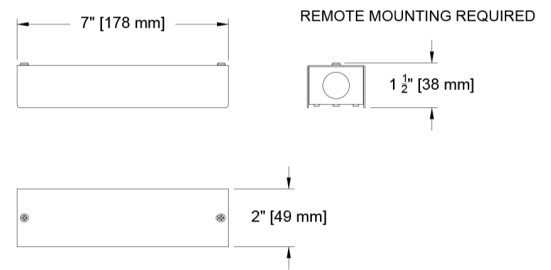
## Plaster Retro-fit / Shallow Surface Mount (SHSM#R)

(SCOM-RA-Z-SHSM#R-)



## Remote Driver Box

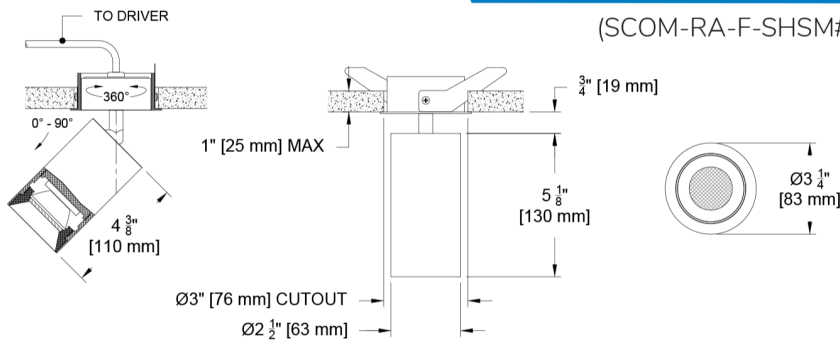
for E1, E2, E3, C1, C2, TR2



## Flanged Monopoint (Remote Driver)

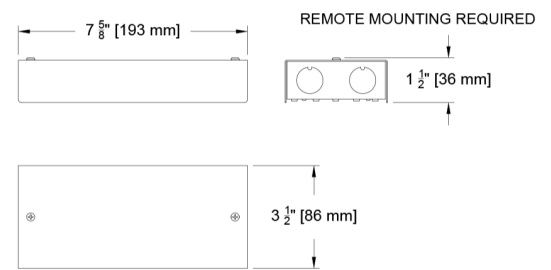
## Flanged Retro-fit / Shallow Surface Mount (SHSM#R)

(SCOM-RA-F-SHSM#R-)



## Remote Driver Box

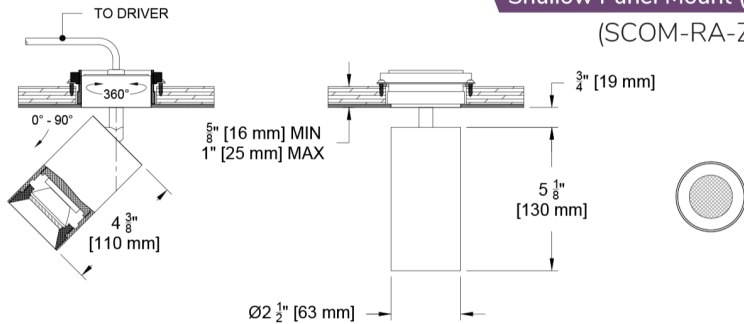
for E4, LD



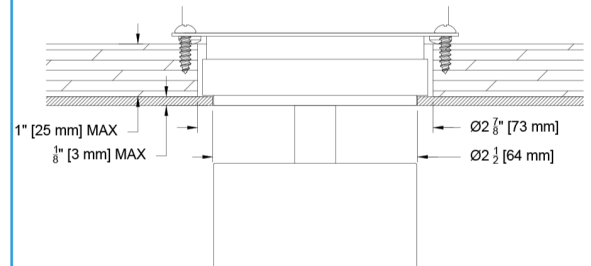
## Flangeless Monopoint (Remote Driver)

## Panel Mount Retro-fit / Shallow Panel Mount (SHPM#R)

(SCOM-RA-Z-SHPM#R-)



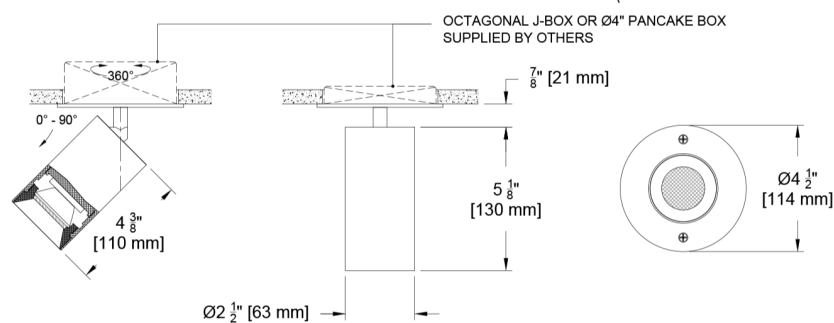
## Panel Mount Detail



## Canopy Plate (Remote Driver)

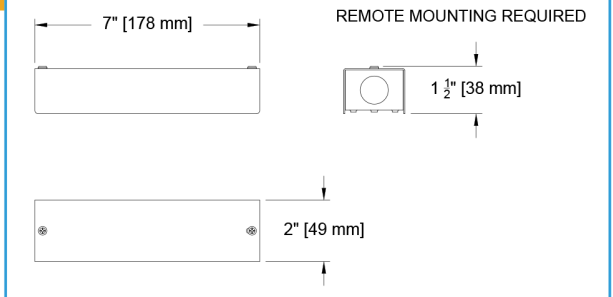
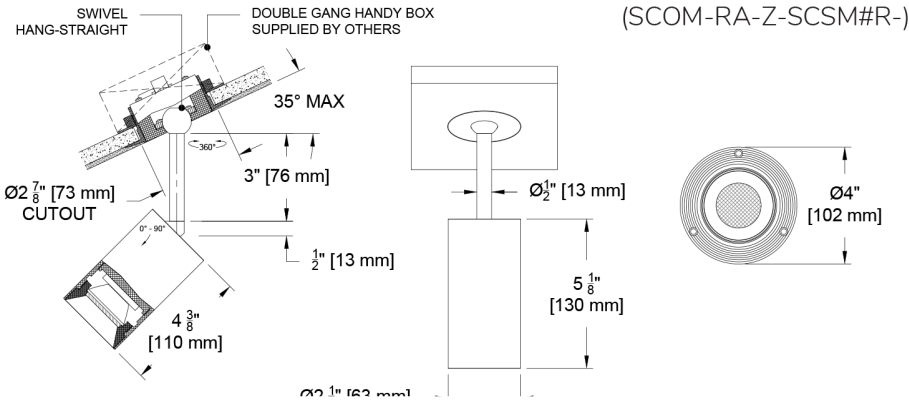
## Canopy Mount (CP-CM#R)

(SCOM-RA-CP-CM#R-)

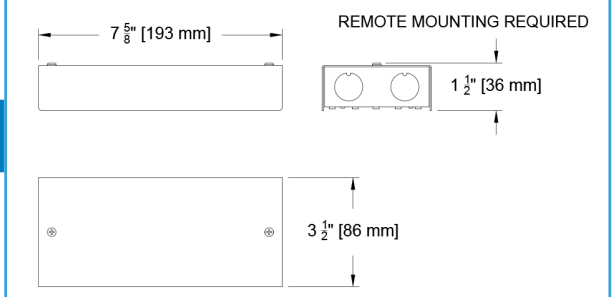
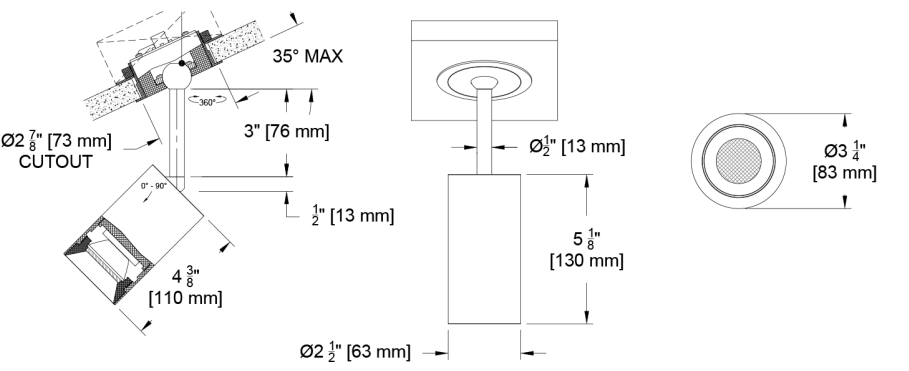


# Ceiling Cutouts and Dimensions

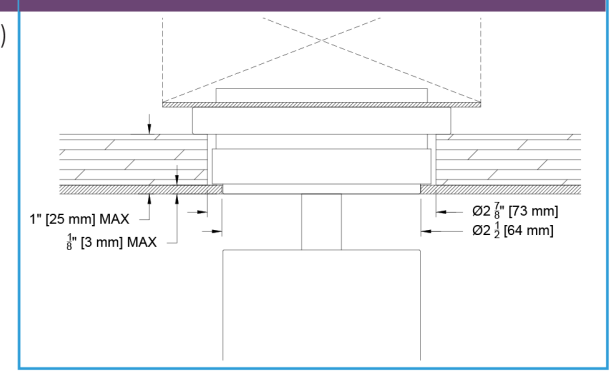
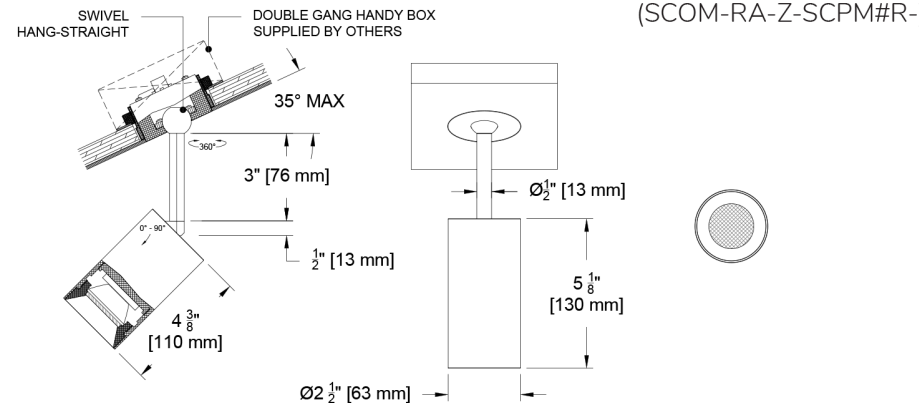
**Flangeless Monopoint (Remote Driver)** | **Plaster Surface Mount Sloped Ceiling Remote Driver (SCSM#R)** | **Remote Driver Box** for E1, E2, E3, C1, C2, TR2



**Flanged Monopoint (Remote Driver)** | **Flanged Surface Mount Sloped Ceiling Remote Driver (SCSM#R)** | **Remote Driver Box** for E4, LD



**Flangeless Monopoint (Remote Driver)** | **Panel Mount Sloped Ceiling Remote Driver (SCPM#R)** | **Panel Mount Detail**

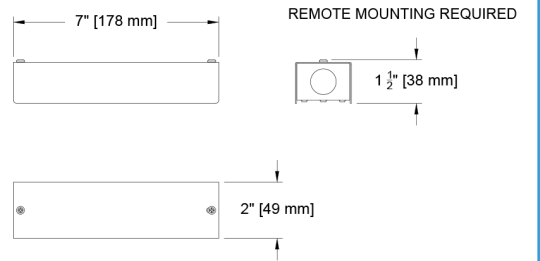
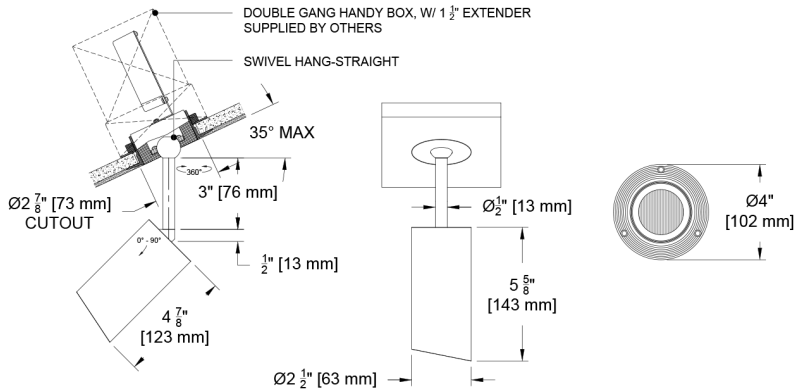


\* Double gang handy box supplied by others for fixture mount & low voltage wiring

# Ceiling Cutouts and Dimensions

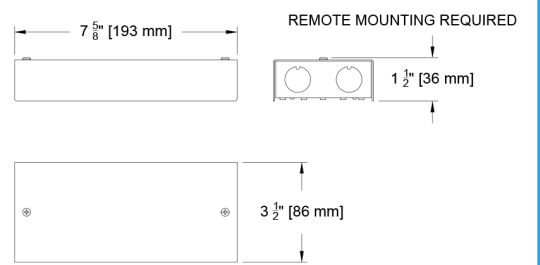
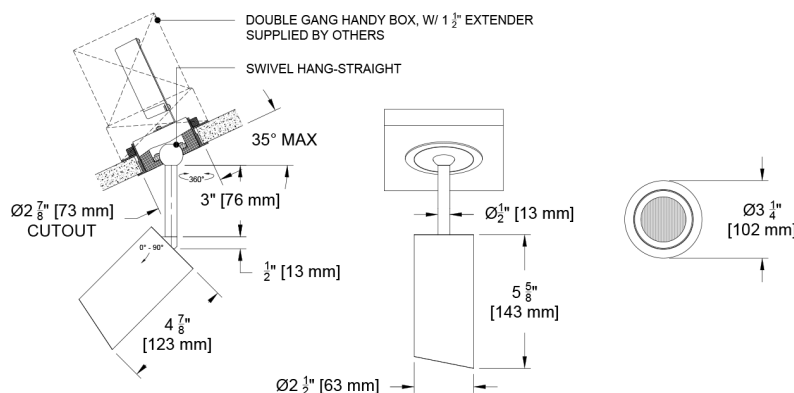
**Flangeless Monopoint (Integral Driver)** | **Plaster Surface Mount Sloped Ceiling Integral Driver (SCSMR)** | **Remote Driver Box** for E1, E2, E3, C1, C2, TR2

(SCOM-RA-Z-SCSMR-)



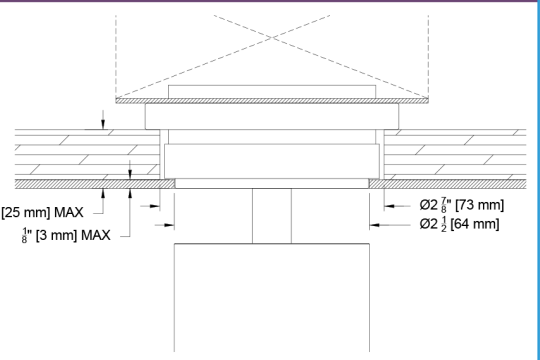
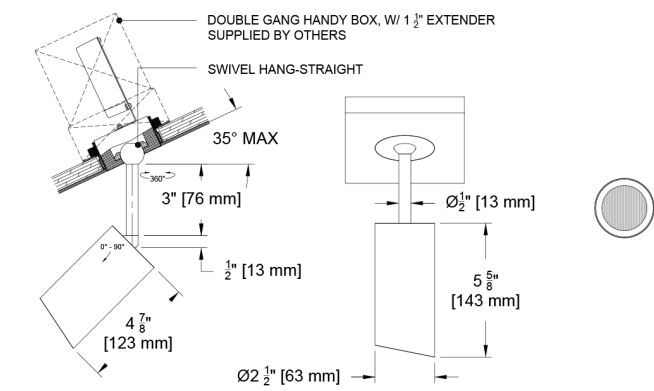
**Flanged Monopoint (Integral Driver)** | **Flanged Surface Mount Sloped Ceiling Integral Driver (SCSMR)** | **Remote Driver Box** for E4, LD

(SCOM-RA-F-SCSMR-)



**Flangeless Monopoint (Integral Driver)** | **Panel Mount Sloped Ceiling Integral Driver (SCPMR)** | **Panel Mount Detail**

(SCOM-RA-Z-SCPMR-)

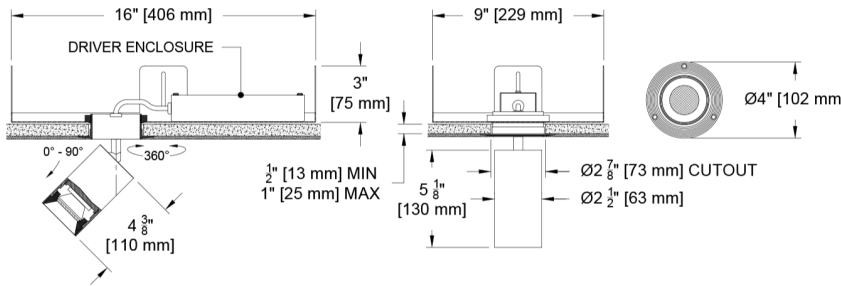


# Ceiling Cutouts and Dimensions

## Flangeless Monopoint (Remote Driver)

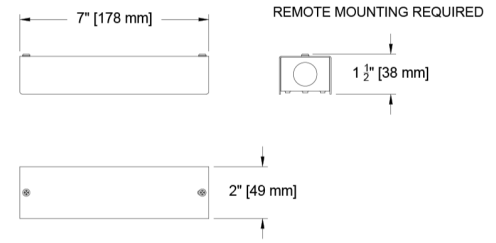
### Plaster Surface Mount (SM#R) Bracket Pan (#BP)

(SCOM-RA-Z-SM#R#BP-)



## Remote Driver Box

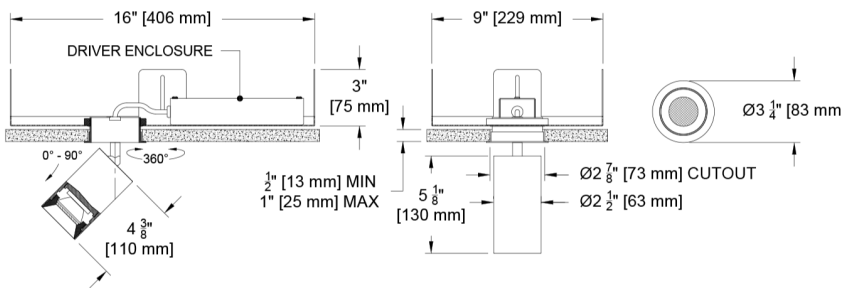
for E1, E2, E3, C1, C2, TR2



## Flanged Monopoint (Remote Driver)

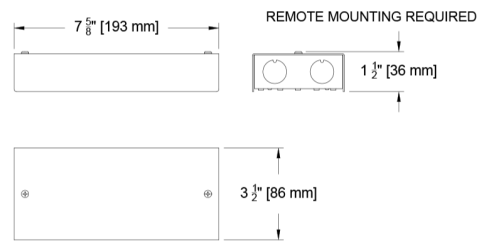
### Flanged Surface Mount (SM#R) Bracket Pan (#BP)

(SCOM-RA-F-SM#R#BP-)



## Remote Driver Box

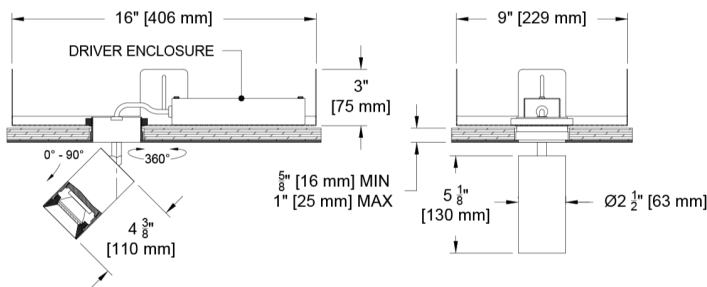
for E4, LD



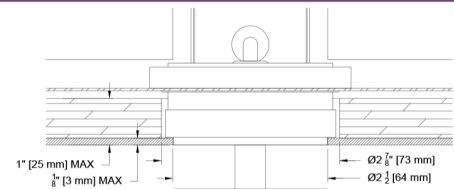
## Flangeless Monopoint (Remote Driver)

### Panel Mount (PM#R) Bracket Pan (#BP)

(SCOM-RA-Z-PM#R#BP-)



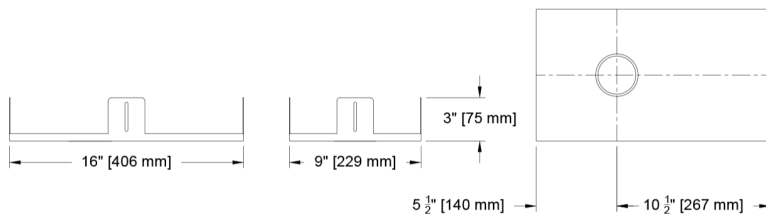
## Panel Mount Detail



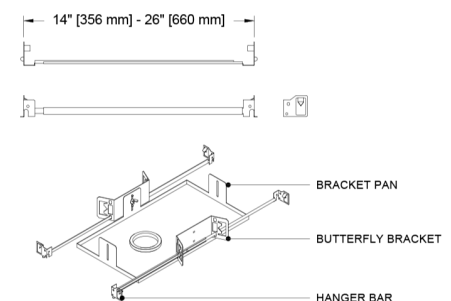
## Bracket Pan Detail

BP

(SCOM-RA-Z-#BP-)



## Bracket Pan Mounting Detail

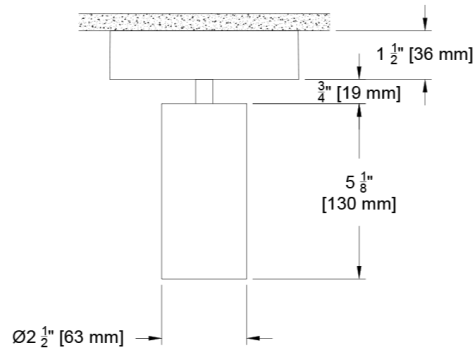
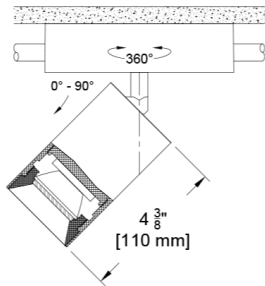


# Ceiling Cutouts and Dimensions

Surface Monopoint (Integral Driver)

Surface Mount Large Junction Box  
(Integral Driver) SMLJB

(SCOM-RA-CP-SMLJB-)

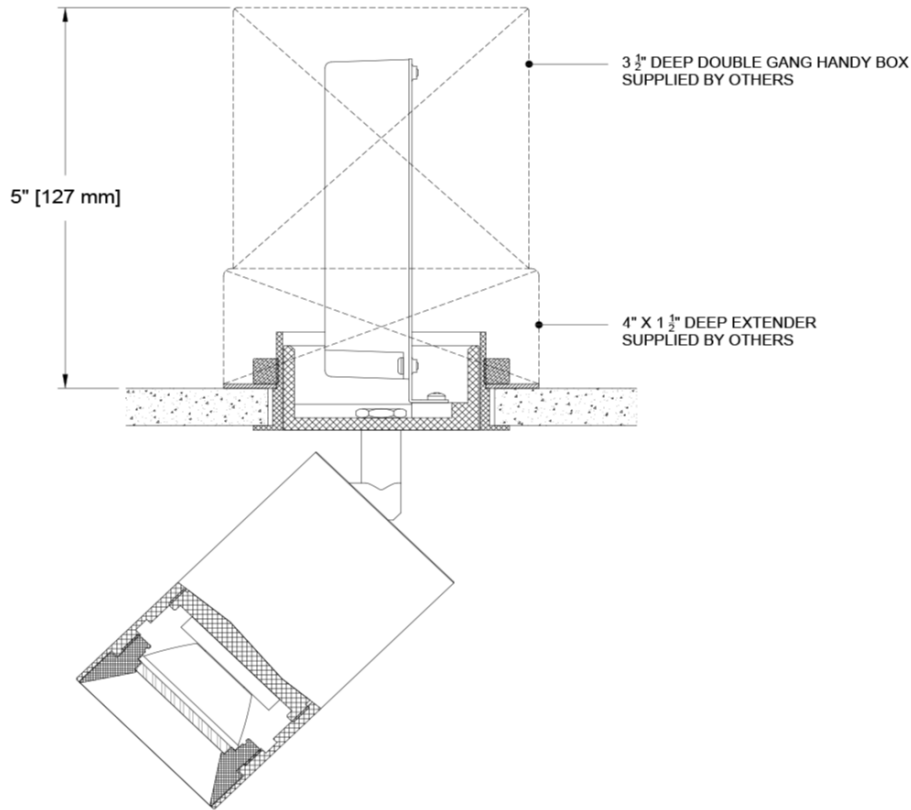


# Integral Driver Detail

J-Box Configurations by Driver Type

## Integral Driver J-Box Configuration

E1, E2, E3, C1, C2 Drivers



# Photometric Table

All data below are delivered lumens based on goniometer measurements of production representative product. All lumen values can vary +/- 10% from LED manufacturer rated nominal flux. The following combinations do not meet California Title 24 efficacy requirements - Ambient Dim 15°, Tunable White 1840 15° and 35° beams. Tunable White source with tight beams may result in chip imaging in the near field

CYLINDER Beamspreads		20°				28°				40°				60°			
	System watts (W)	Delivered Lumens (lm)	Lumens/Watt	Peak CD	10% Field	Delivered Lumens (lm)	Lumens/Watt	Peak CD	10% Field	Delivered Lumens (lm)	Lumens/Watt	Peak CD	10% Field	Del. Lumens (lm)	Lms/Watt	Peak CD	10% Field
Citizen C14	14	1290	92	4733	68°	1292	92	3395	71°	1255	90	2296	74°	1307	93	1702	78°
Ambient Dim A14	15	851	58	3509	66°	810	55	2246	71°	783	54	1519	73°	836	57	1105	77°
Tunable White - 1840	10	467	46	2337	42°	N/A	N/A	N/A	N/A	436	43	837	72°	N/A	N/A	N/A	N/A
Tunable White - 2765	10	587	60	2757	41°	N/A	N/A	N/A	N/A	574	59	1075	74°	N/A	N/A	N/A	N/A
CCT Multiplier		Beam angle				Beam angle				Beam angle				Beam angle			
CCT	Citizen	19.2°				26.2°				38.5°				58.6°			
2700	0.95																
3000	1.00																
3500	1.02																
4000	1.03																

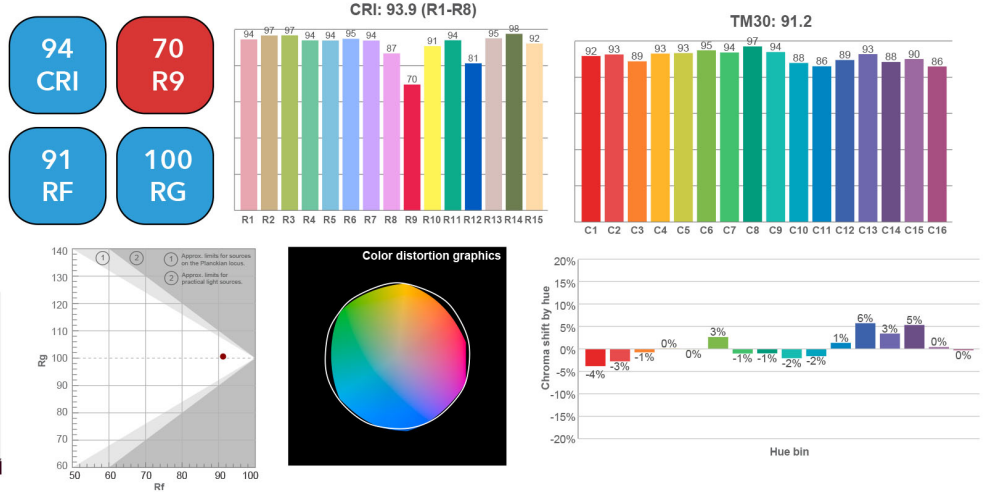
All Measurements are delivered lumens based on 3000K unless otherwise noted below. Ambient Dim measured at full output. Tunable White measurements at mid-point CCT of range (2700k for 1840 and 4500k for 2765 source). ISO CD Plots based C14 Source. Tunable White with tight beams may result in chip imaging in near field applications.

# Color Data

All data below are delivered lumens. Color and flux information based on goniometer measurements of production representative product. All values can vary +/- 10% from LED manufacturer data range as listed on their datasheet.

## Citizen Source C14, C20

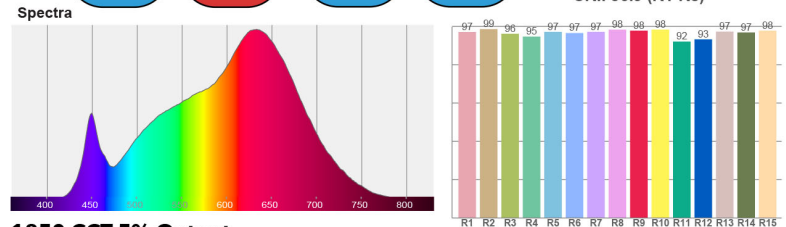
- <2 MacAdam Ellipse (<2 SDCM)
- 90+ CRI and RF
- 60+R9, Hue Bin 1



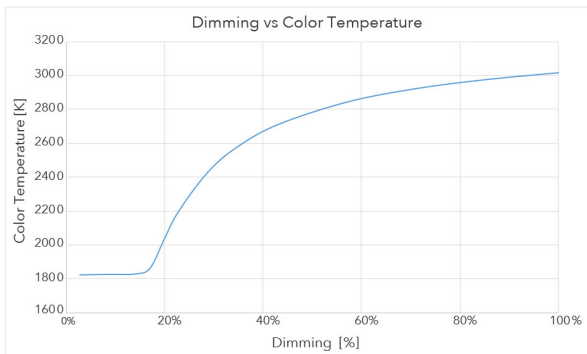
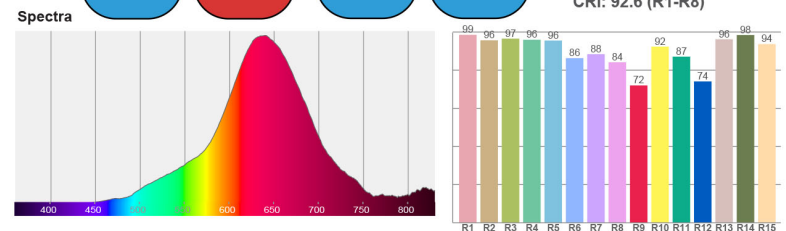
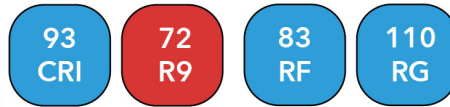
## Ambient Dim Source A14 (AD - 3000k to 1900k)

- <3 MacAdam Ellipse (<3 SDCM)
- 95+ CRI and RF
- 90+R9, Hue Bin 1
- Follows Black Body Locus through dimming range

### 3000 CCT Full Output



### 1850 CCT 5% Output

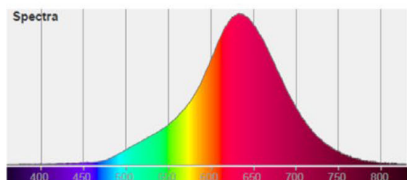


## Tunable White source T7 - CCT 1840 (1800k to 4000k)

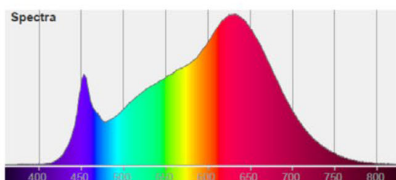
- <3 MacAdam Ellipse (<3 SDCM)
- 94 CRI average across all CCTs
- 76 R9 average across all CCTs
- Available in both wired or wireless control

INK		TUNABLE WHITE - 1800-4000K						
<b>Color Temp</b>		1800	2200	2500	2700	3000	3500	4000
<b>System Watts</b>		10	10	10	10	10	10	10
<b>Delivered Lumens</b>		360	412	445	467	513	543	543
<b>Luminaire Efficiency</b>		36	41	44	46	51	54	54
Flux and Color data based on 20° measurement at 2700k. All other values are extrapolated from actual and analytical tests.								

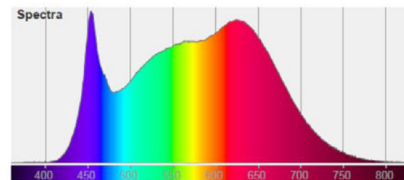
Spectral Power Distributions at all listed CCTs available upon request



1800K

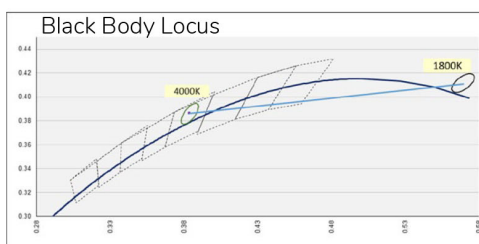


3000K



4000K

94 CRI    76 R9  
89 RF    97 RG

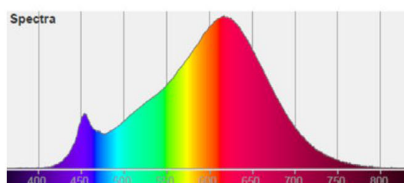


## Tunable White source T7 - CCT 2765 (2700k to 6500k)

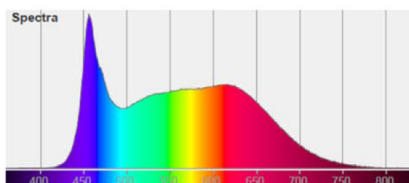
- <3 MacAdam Ellipse (<3 SDCM)
- 94 CRI average across all CCTs
- 96 R9 average across all CCTs
- Available in both wired or wireless control

INK		TUNABLE WHITE - 2700-6500K								
<b>Color Temp</b>		2700	3000	3500	4000	4500	5000	5500	6000	6500
<b>System Watts</b>		10	10	10	10	10	10	10	10	10
<b>Delivered Lumens</b>		552	569	587	574	587	586	585	584	590
<b>Luminaire Efficiency</b>		56	58	60	59	60	60	60	60	60
Flux and Color data based on 20° measurement at 4500k. All other values are extrapolated from actual and analytical tests.										

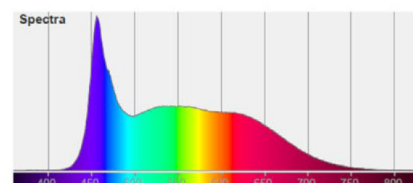
Spectral Power Distributions at all listed CCTs available upon request



2700K



5000K



6500K

96 CRI    76 R9  
91 RF    99 RG

